

1 2 3 4 5 6 7 8

A

B

C

D

E

F

A

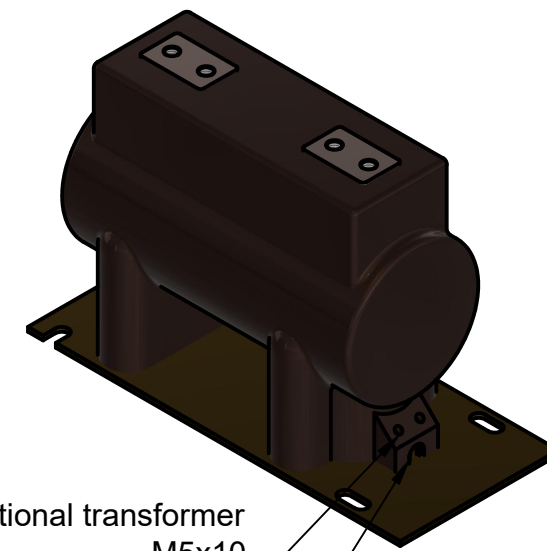
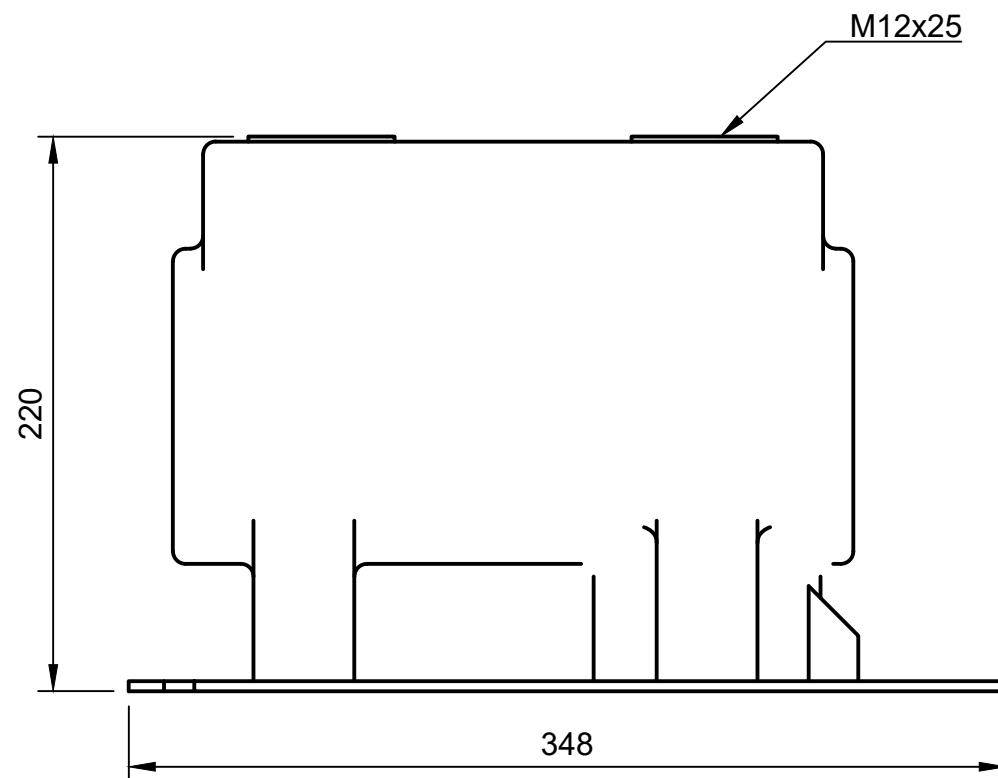
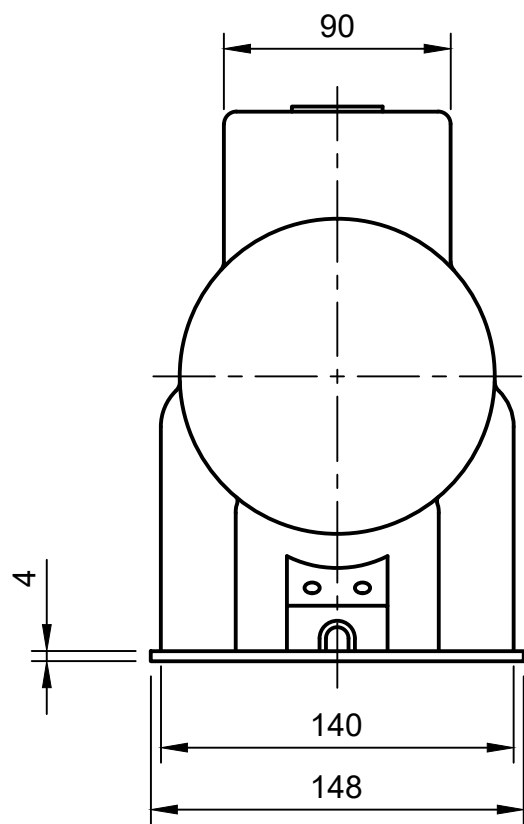
B

C

D

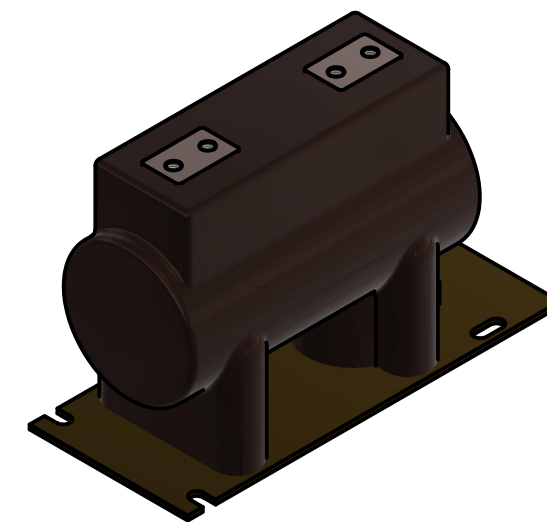
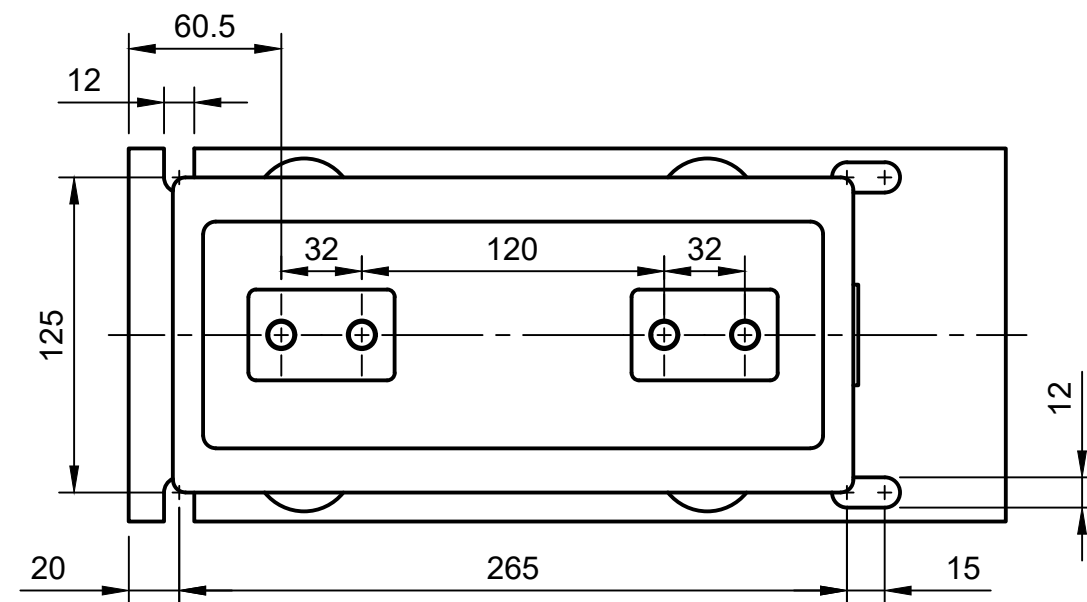
E

F

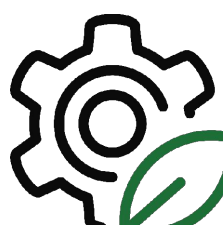


sec. output konvventional transformer
M5x10

sensor output



Standard:
IEC 61869-1
IEC 61869-6
IEC 61869-10
IEC 61869-11
Isolation level:
7,1/20/60 kV
12/28/75 kV
Rated current :
up to 1500A ext.120%
Rated voltage:
max. 11kV/V3
Temperature range:
-25/65°C
Accuracy class:
VS 0,2/0,5/1/3 & 3P/6P;
CS 0,2S/0,2/0,5S/0,5/1/3 max P20
Secondary output:
VS 3,25V/V3 or customer defined;
CS 225mV or customer defined
Burden:
VS 200kΩ ±1%; max. 1nF or customer defined;
CS >20kΩ or customer defined;
Ith: 40kA 3sec.

| | | | |
|---|--|------------------------------------|---------------------------------------|
| Dept. GWP | Technical reference | Created by W. Bacher 01.04.2020 | Approved by N. Juschicz 01.04.2020 |
|  A3/1:3 | Document type Drawing | Document status Released | |
| | Title Indoor Block Combined Sensor | DWG No. K120A-xx | |
| | Rev. 1 | Date of issue 01.04.2020 | Sheet 1/1 |

1 2 3 4 5 6 7 8