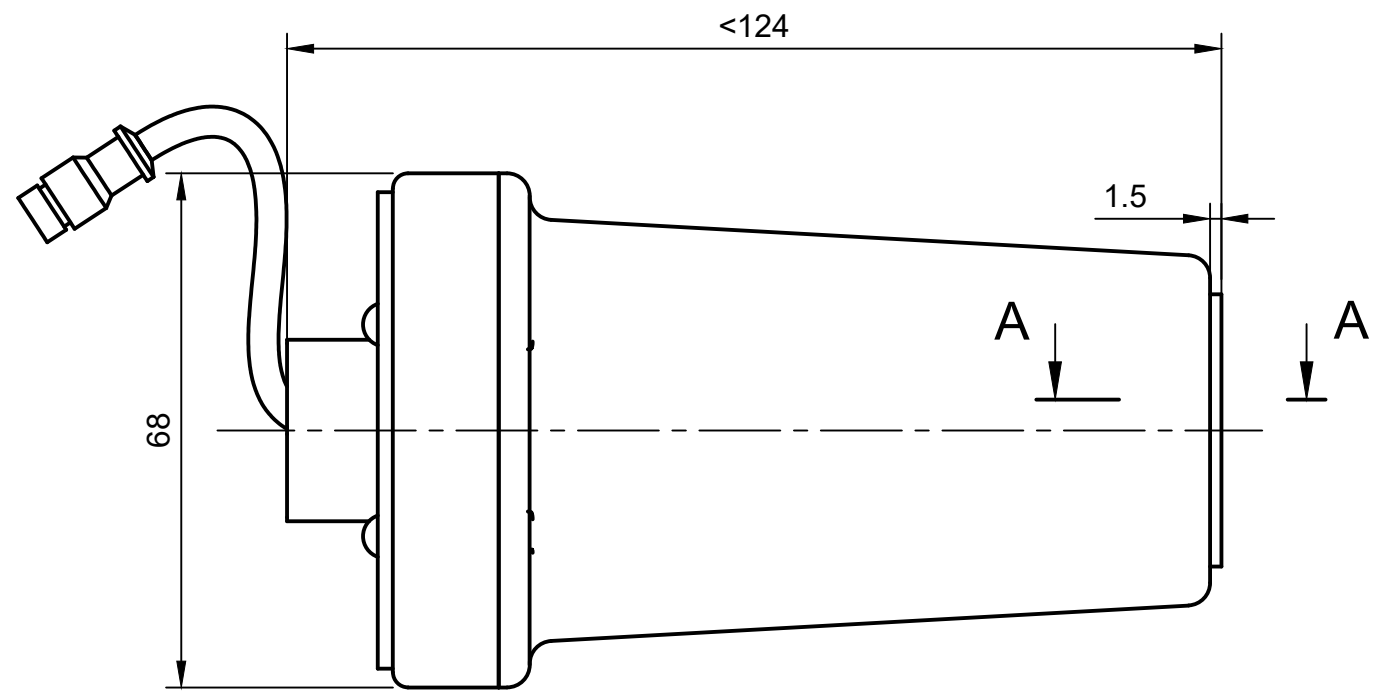
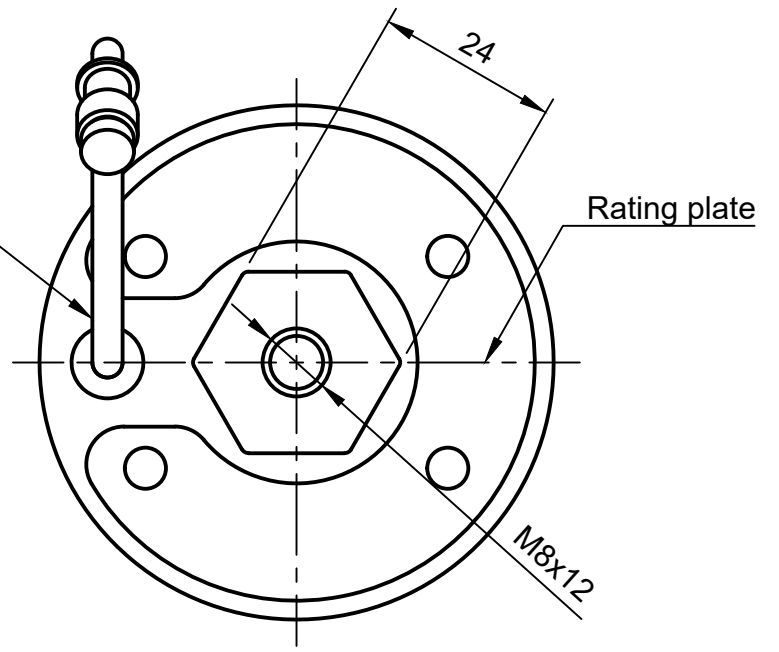


1 2 3 4 5 6 7 8

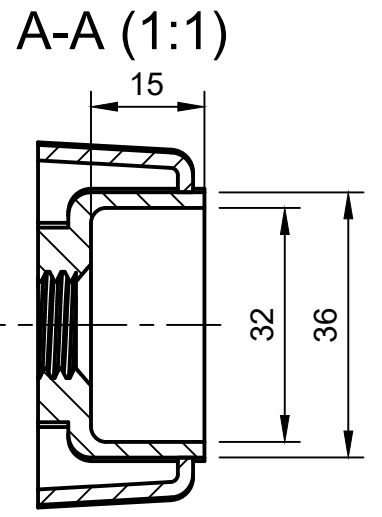
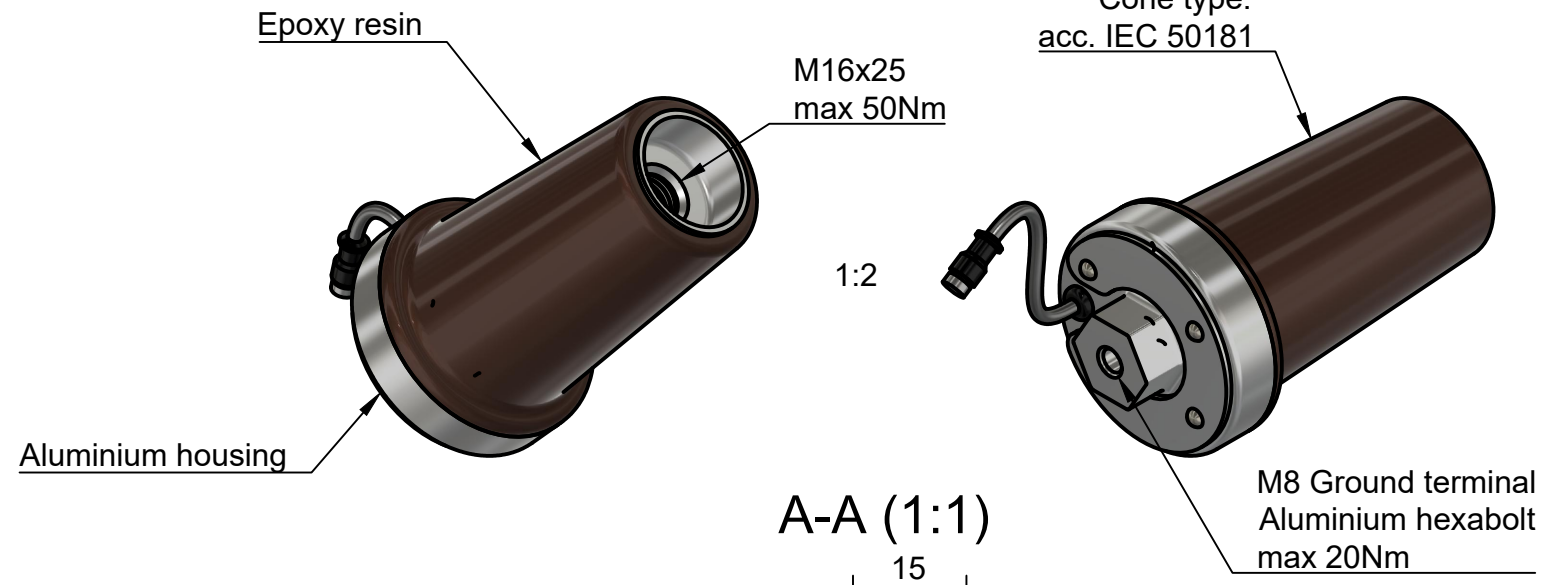
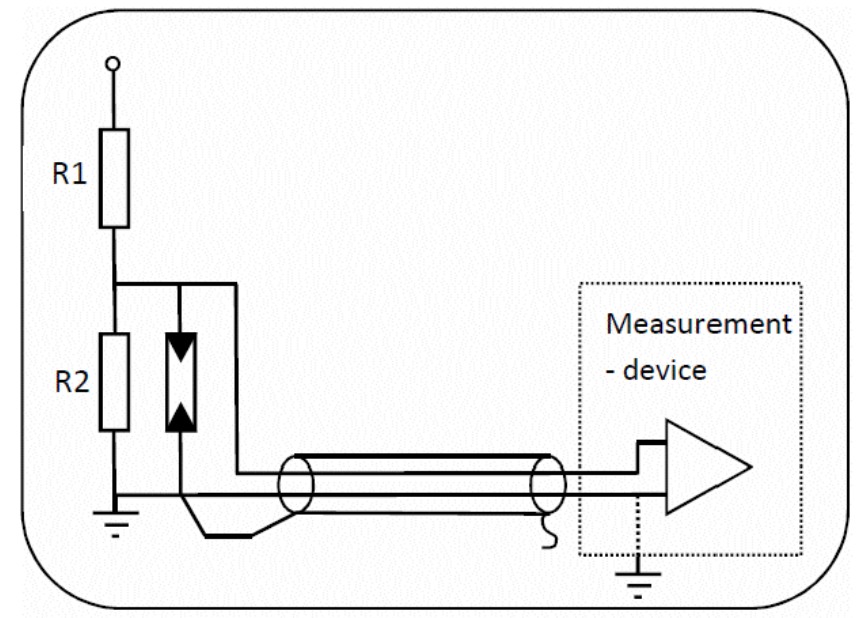
A
B
C
D
E
F



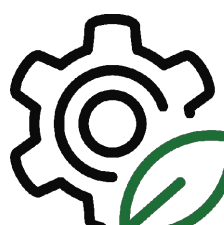
Secondary terminal:
1) 10cm 3pole
screwed M8 - socket
2) M8 - plug with cable
2m open ends



Function principle:



Standard: IEC 61869-1, IEC 61869-6, IEC 61869-11
 Isolation level: 12/28/75kV 17,5/38/95kV 24/50/125kV
 Rated voltage: 20kV/V3
 Temperature range: -40/80°C
 Frequency: 50/60Hz
 Accuracy class: C11 initial/ C10,5 with individual corr. factor
 Secondary output: 3,25/V3V
 Burden: 200kΩ ±1%; 350pF
 Compatible T-cable manufacturers on request

Dept. GWP	Technical reference	Created by W. Bacher 20.09.2018	Approved by N. Juschicz 20.09.2018
 A3/1:1	Document type Drawing	Document status Released	
	Title Indoor ECO Voltage Sensor Cone Type	DWG No. T240C-0U	
	Rev. 3	Date of issue 30.03.2019	Sheet 1/1

1 2 3 4 5 6 7 8