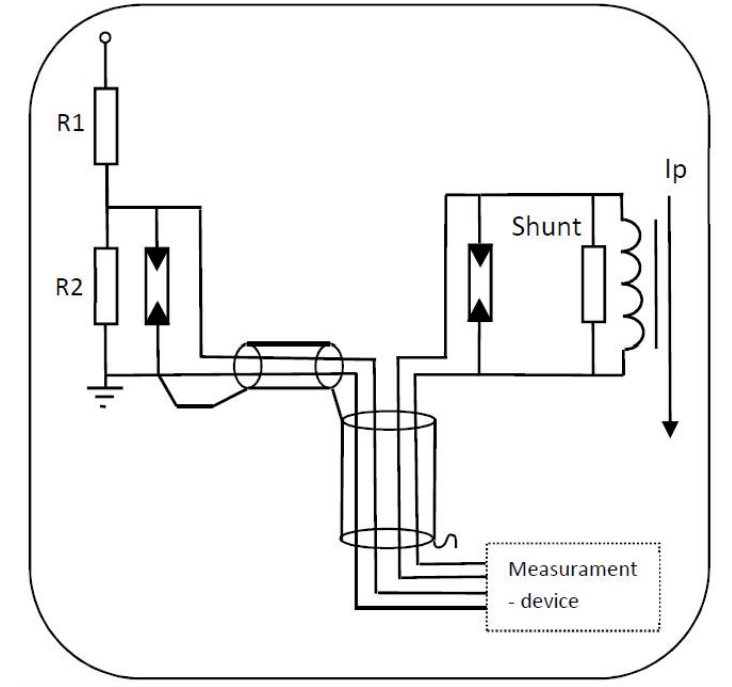
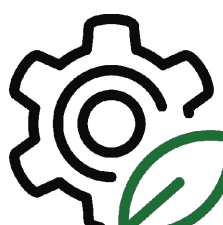


Function principle:



Standard: IEC 61869-1, IEC 61869-6, IEC 61869-10, IEC 61869-11  
 Isolation level: 12/28/75kV 17,5/38/95kV 24/50/125kV  
 Rated current : 300A  
 Rated voltage: max. 20kV/V3  
 Temperature range: -25/65°C  
 Voltage accuracy class:  
 VS 0,2/0,5/1/3 & 3P/6P; CS 0,5S/0,5/1/3 max P20  
 Secondary output:  
 VS 3,25V/V3 or customer defined; CS 225mV or customer defined  
 Burden: VS 200kΩ ±1%; max. 1nF or customer defined; CS >20kΩ  
 Ith: 25kA 3sec.  
 Compatible T-cable manufacturers on request

Dept. GWP	Technical reference	Created by W. Bacher 20.01.2019	Approved by N. Juschicz 20.01.2019
 A3/1:2	Document type Drawing	Document status Released	
	Title Indoor V&C combined Sensor	DWG No. KxxxP-xx	
		Rev. 1	Date of issue 30.03.2019