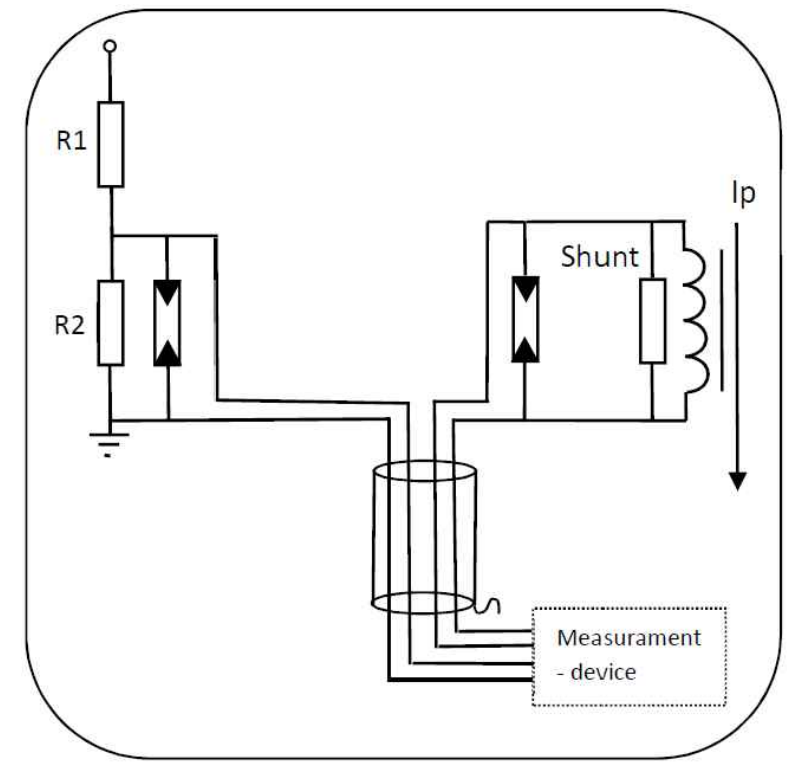


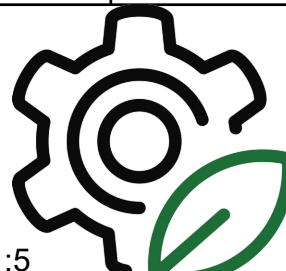
M25 cable gland
or customer defined

1:5

Function principle:



Standard: IEC 61869-1, IEC 61869-6, IEC 61869-10, IEC 61869-11
 Isolation level: 17,5/38/95kV 24/50/125kV
 Arc distance: 380mm
 Creepage distance: 1150mm
 Rated current : 300A ext. 200%
 Rated voltage: max. 20kV/V3
 Temperature range: -25/65°C
 Accuracy class:
 VS 0,2/0,5/1/3 & 3P/6P;
 CS 0,2S/0,2/0,5S/0,5/1/3 max P20
 Secondary output:
 VS 3,25V/V3 or customer defined;
 CS 225mV or customer defined
 Burden: VS 200kΩ ±1%; max. 1nF or customer defined;
 CS >20kΩ
 Ith: 25kA 3sec.
 Bending force: on request

Dept. GWP	Technical reference K240F	Created by W. Bacher	20.09..2018	Approved by N. Juschicz	20.09.2018
		Document type Drawing	Document status Draft		
		Title Outdoor V&C combined Sensor	DWG No. K240F-xx		
A3 1:5		Rev. 3	Date of issue 30.03.2019	Sheet 1/1	