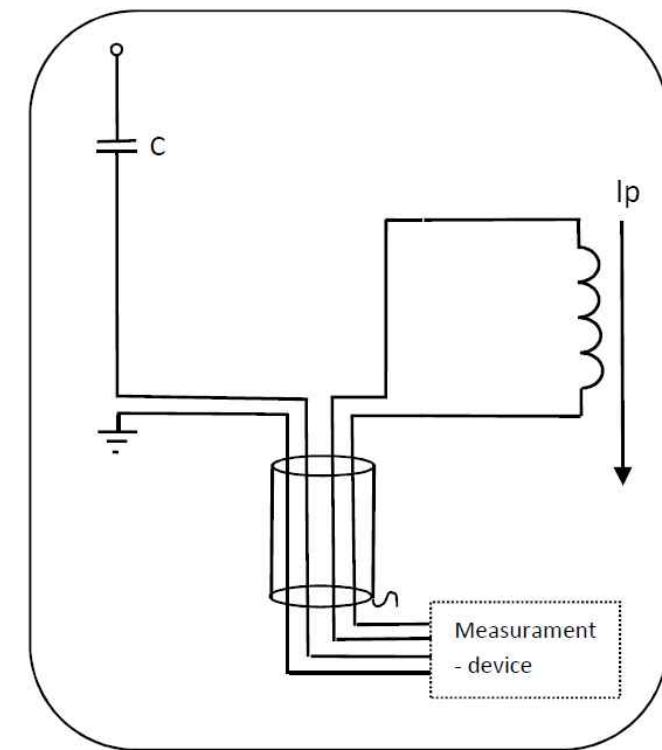
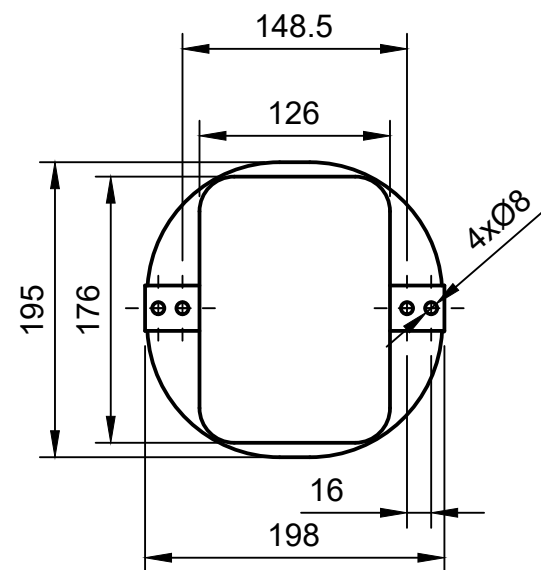
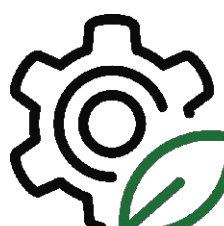


Function principle:



Standard: IEC 60044-7
 Isolation level: 24/50/125kV
 Rated current : 300A
 Rated voltage: 20kV/V3
 Temperature range: -5/40°C
 Accuracy class: 0.5
 Secondary output: VS 10.000V/1V
 CS 300 A / 0,476V
 VS: Primary terminal capacity (average value) 20 pF
 CS: Rated short time withstand thermal current,
 I_{th} 12,5 kA / 1s
 Dynamic nominal current, I_{dyn} 31,5 kA
 Bandwidth:
 VS: (-3dB) 30 Hz – 20 kHz
 CS: (-3dB) 30 Hz – 5 kHz



Dept. GWP	Technical reference K240F	Created by W. Bacher	15.08.2018	Approved by N. Juschicz	15.08.2017
		Document type Drawing	Document status Draft		
		Title Outdoor V&C combined for RGDAT	DWG No. K240F-5E		
A3/1:5		Rev.	Date of issue 15.08.2017	Sheet 1/1	