

**TxxxK-xx**

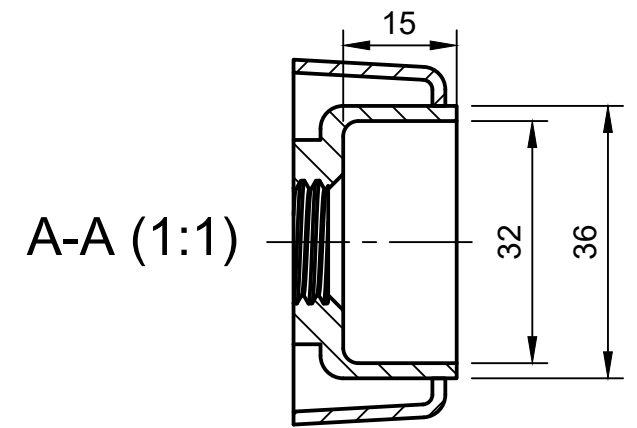
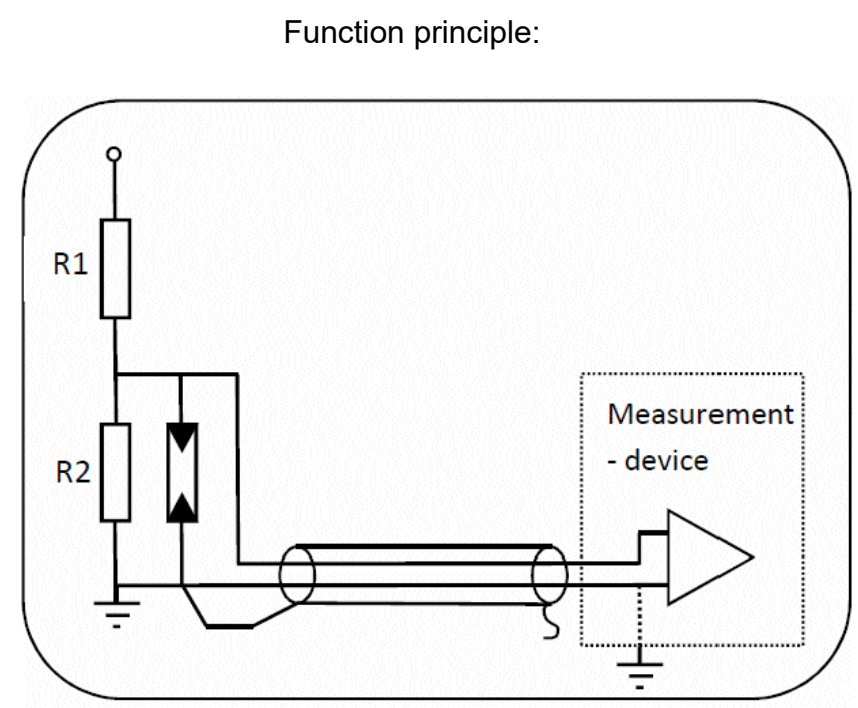
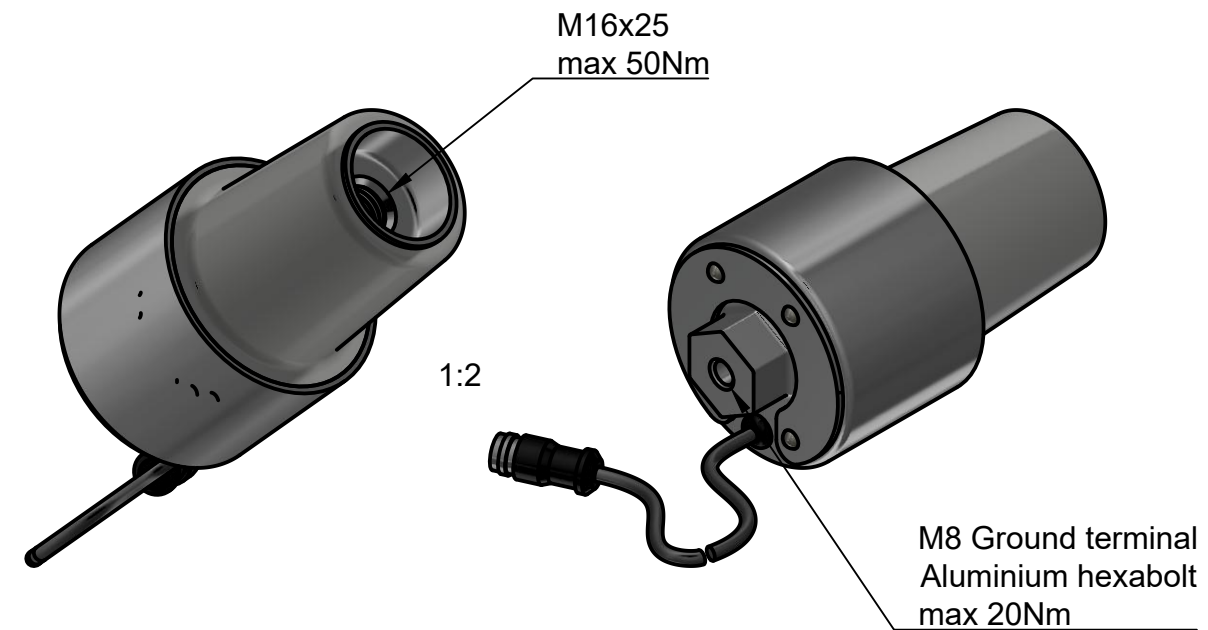
Type:  
T = Voltage sensor

Isolation level:  
120 = 12kV  
175 = 17,5kV  
240 = 24kV


Conetype:  
K = short

Customer

Quality level:  
C = CI 1  
L = CI 0,5  
M = CI 0,5 & 2,5kHz  
H = CI 0,2 & 10kHz



Standard: IEC 60044-7  
Isolation level: 12/28/75kV 17,5/38/95kV 24/50/125kV  
Temperature range: -40/80°C  
Accuracy class: 0,2/0,5/1/3 & 3P/6P  
Secondary output: 3,25/V $\sqrt{3}$  or customer defined  
Burden: 200k $\Omega$   $\pm$ 1%; max. 1nF or customer defined  
Compatible T-cable manufacturers on request

Dept. GWP	Technical reference	Created by W. Bacher 20.09.2018	Approved by N. Juschicz 20.09.2018
 A3/1:1	Document type Drawing	Document status Released	
	Title Indoor Smartgrid Voltage Sensor Short cone type		DWG No. TxxxK-xx
	Rev. 1	Date of issue 20.09.2018	Sheet 1/1