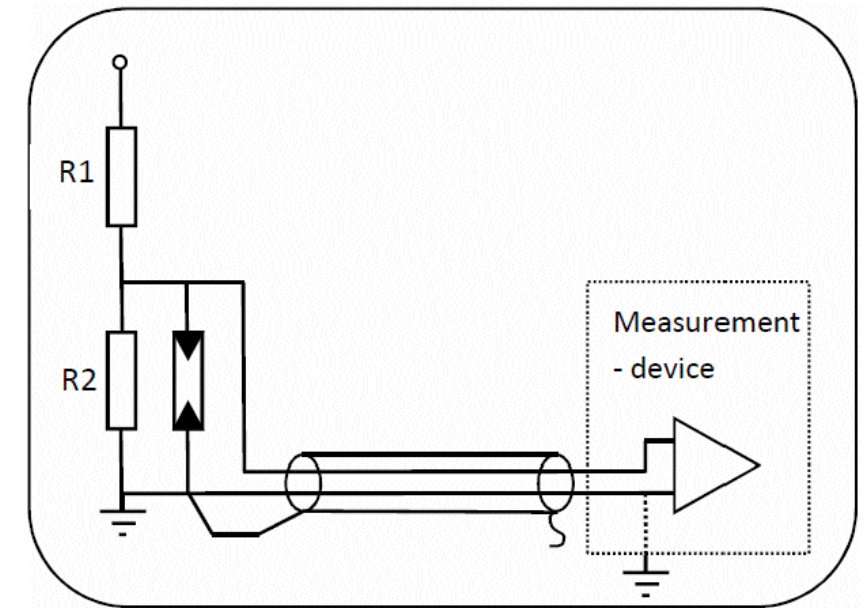


Secondary terminal custom defined  
 Recommendation:  
 1) 10cm 3pole screwed M8 - socket  
 2) M8 - plug with cable  
 0,5-100m open ends

Function principle:



**TxxxC-xx**

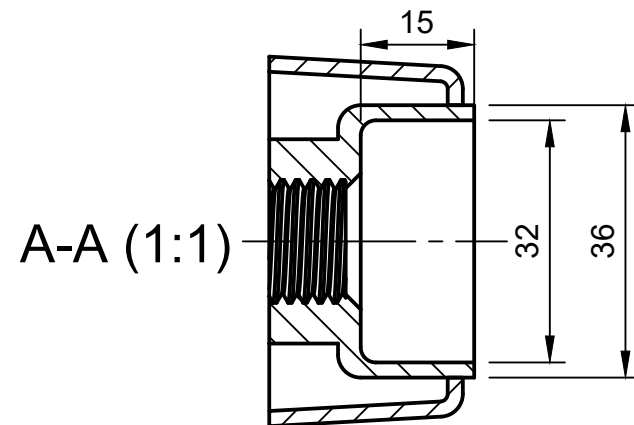
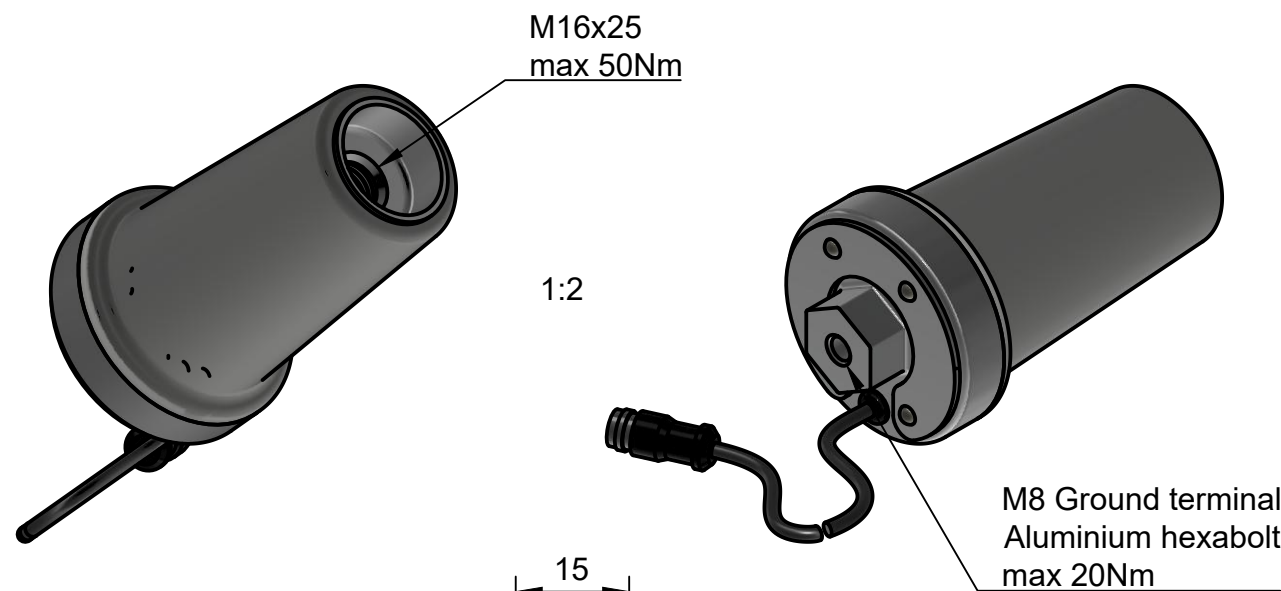
Type:  
 T = Voltage sensor

Isolation level:  
 120 = 12kV  
 175 = 17,5kV  
 240 = 24kV

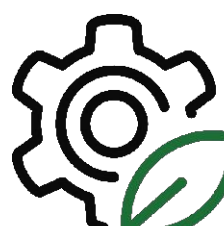
Conetype:  
 C = IEC 50181

Customer

Quality level:  
 C = CI 1  
 L = CI 0,5  
 M = CI 0,5 & 2,5kHz  
 H = CI 0,2 & 10kHz



Standard: IEC 60044-7, IEC 50181  
 Isolation level: 12/28/75kV 17,5/38/95kV 24/50/125kV  
 Temperature range:  $-40/80^{\circ}C$   
 Accuracy class: 0,2/0,5/1/3 & 3P/6P  
 Secondary output:  $3,25/\sqrt{3}$  or customer defined  
 Burden:  $200k\Omega \pm 1\%$ ; max. 1nF or customer defined

Dept. GWP	Technical reference	Created by W. Bacher 20.09.2018	Approved by N. Juschicz 20.09.2018
 A3/1:1	Document type Drawing	Document status Released	
	Title Indoor Smartgrid Voltage Sensor Cone Type		DWG No. TxxxC-xx
Rev. 1	Date of issue 20.09.2018	Sheet 1/1	