

Secondary terminal
custom defined
Recommendation:
1) 10cm 3pole
screwed M8 - socket
2) M8 - plug with cable
0,5-100m open ends

TxxxB-3x

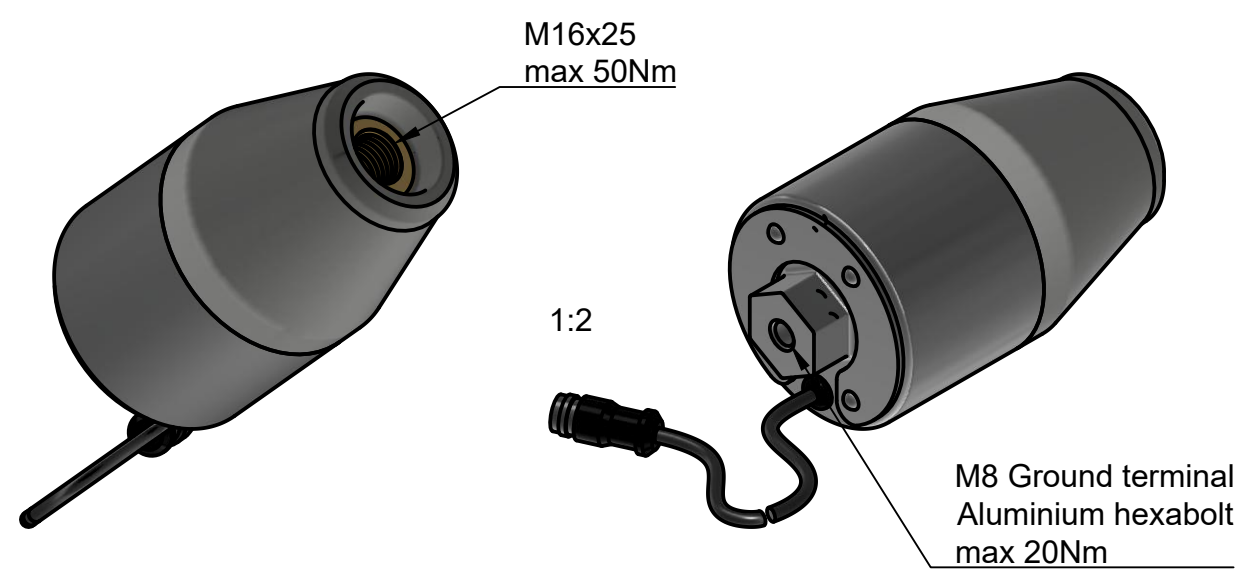
Type:
T = Voltage sensor

Isolation level:
120 = 12kV
175 = 17,5kV
240 = 24kV

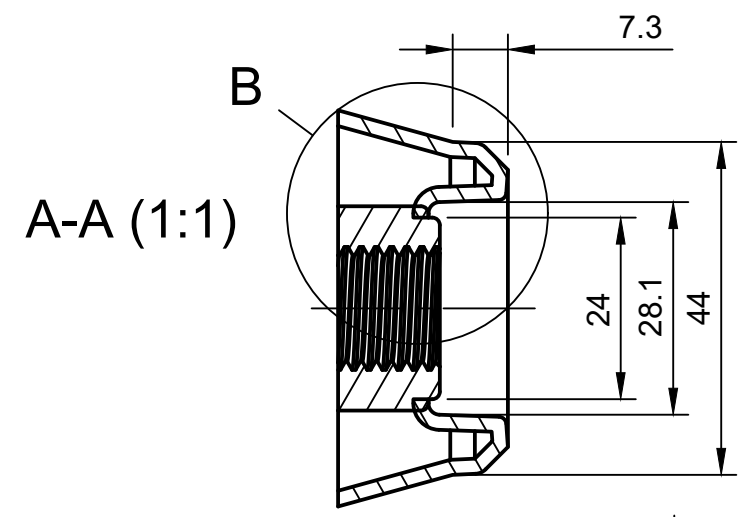
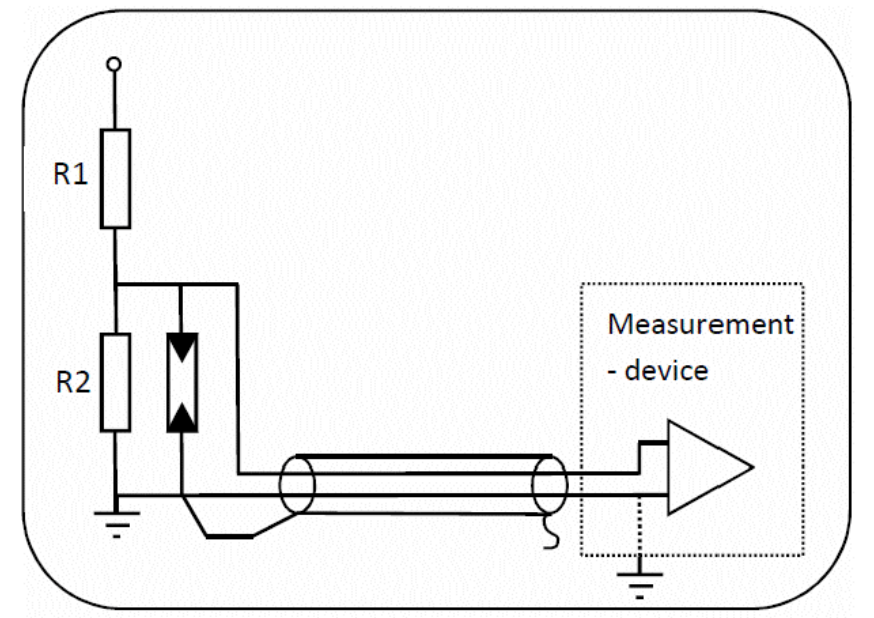
Conetype:
B = BIPA TB480

Customer: 3 = Nexans

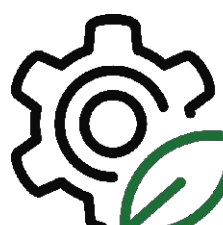
Quality level:
C = CI 1
L = CI 0,5
M = CI 0,5 & 2,5kHz
H = CI 0,2 & 10kHz



Function principle:



Standard: IEC 60044-7, IEC 50181
Isolation level: 12/28/75kV 17,5/38/95kV 24/50/125kV
Temperature range: -40/80°C
Accuracy class: 0,2/0,5/1/3 & 3P/6P
Secondary output: 3,25/√3 or customer defined
Burden: 200kΩ ±1%; max. 1nF or customer defined

Dept. GWP	Technical reference	Created by W. Bacher 20.09.2018	Approved by N. Juschicz 20.09.2018
 A3/1:1	Document type Drawing	Document status Released	
	Title Indoor Smartgrid Voltage Sensor BIPA-TB480	DWG No. TxxxB-3x	
		Rev. 1	Date of issue 20.09.2018