

Rating plate

Logo

Ø55

108

127.5

73.5

65

35

P1

P2

N xxx X xx

Type:
N = Current sensor

Nominal current:
006 = 60A
030 = 300A
060 = 600A
100 = 1000A

Form factor:
R = Ring closed
T = Divisible
E = Earth sensitive

Customer

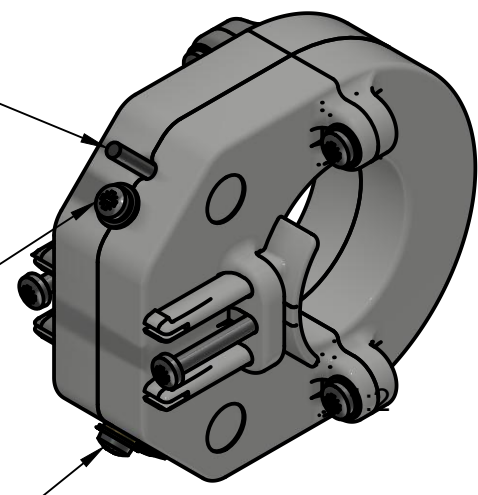
Quality level:
C = CI 1
L = CI 0,5
M = CI 0,5 & 2,5kHz
H = CI 0,2 & 10kHz

Secondary terminal custom defined
Recommendation:
0,5 up to 100m 3pole shielded cable
open ends with shield - outlet

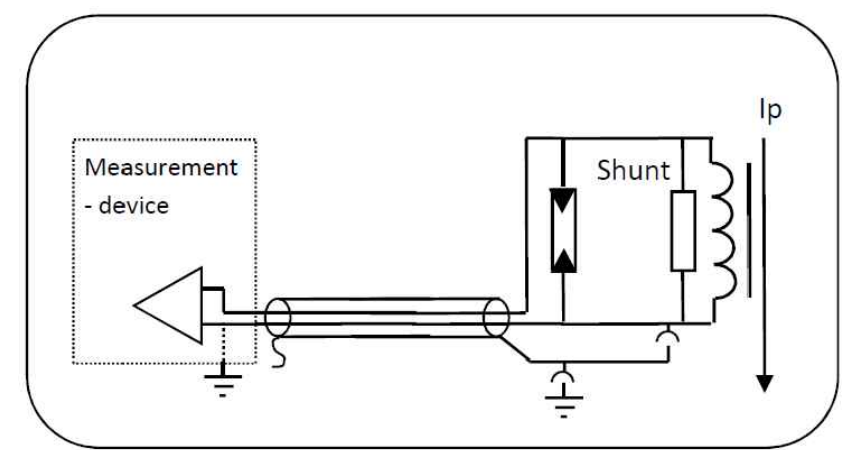
Ground method

Methode	Screw (NC)
floated earth potential	closed
reference earth potential	open


Ground terminal
M5



Function principle:



Standard: IEC 60044-8
Isolation level: 0,72kV
Temperature range: -40/80°C
Accuracy class: 0,5S/0,5/1/3 & max P20
Ith: 25kA 3sec.

Dept. GWP	Technical reference	Created by W. Bacher 21.09.2018	Approved by N. Juschicz 21.09.2018
 1:1	Document type Drawing	Document status	
	Title Indoor Current Sensor Divisible Type	DWG No. NxxxT-xx	
	Rev. 1	Date of issue 21.09.2018	Sheet 1/1