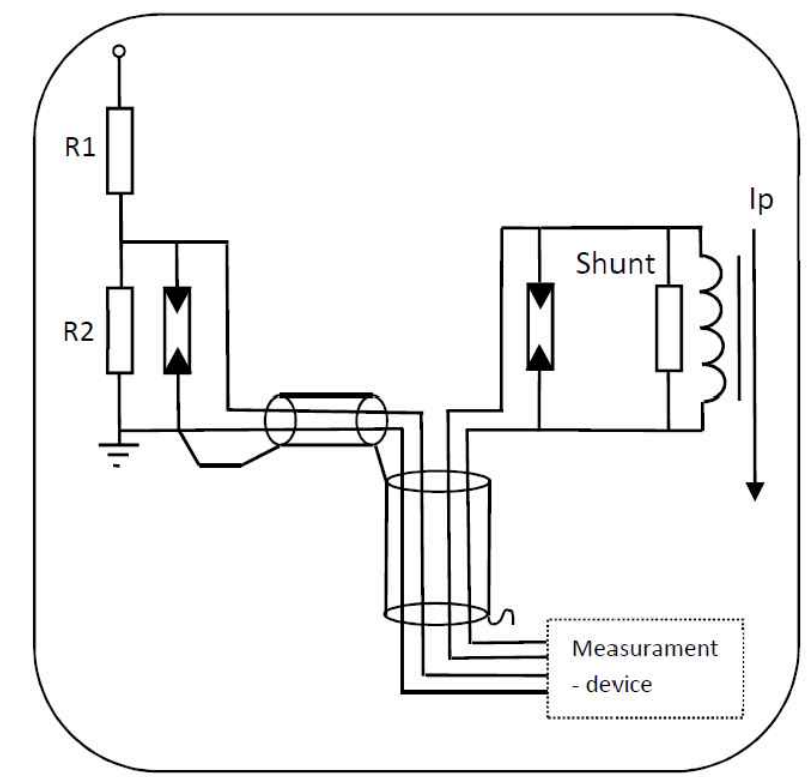


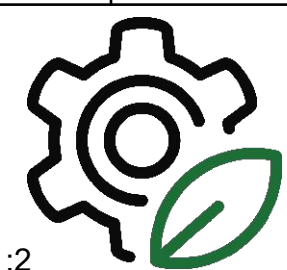
Function principle:



Standard: IEC 60044-7, 60044-8  
 Isolation level: VS 24/50/125kV, CS 0,72kV  
 Temperature range: -5/40°C  
 Accuracy class: VS C11 & 3P  
 Secondary output: VS 10000/1V; VC 1000A/31mV  
 Burden: VS 1M $\Omega$   $\pm$ 2%; <math><50</math>pF, CS 10k $\Omega$   $\pm$ 2%; <math><10</math>pF  
 Thermal short time time  $I_{th}$ : 16kA  
 Harmonics: 1th & 2th Amplitude 1%, Phase 1°/ 3th - 50th Amplitude 5%, Phase 5°  
 Correctionfactor:  $\pm$  30% for amplitude error, 180° for phase error  
 Compatible T-cable manufacturers on request

Accuracy class: CS

$I_p$	Amplitude	Phase
1%	$\pm 5$	$\pm 2$
5%	$\pm 1$	$\pm 2$
100%	$\pm 1$	$\pm 2$
20000%	$\pm 5$	$\pm 2$

Dept. GWP	Technical reference K240P	Created by W. Bacher 22.09.2018	Approved by N. Juschicz 22.09.2018
 A3/1:2	Document type Drawing	Document status Draft	
	Title Indoor sensor V&C combined X5400/4	DWG No. K240P-4E	
		Rev. 0	Date of issue 22.09.2018