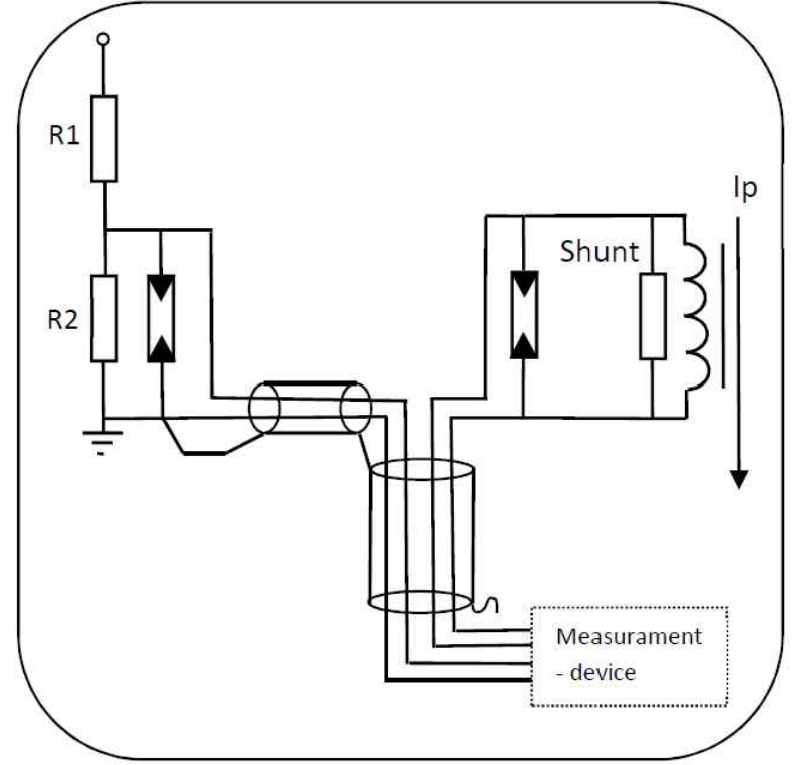



Standard: IEC 60044-7, IEC 60044-8  
 Isolation level: 12/28/75kV 17,5/38/95kV 24/50/125kV  
 Rated current : 300A  
 Temperature range: -40/80°C  
 Voltage:  
 Accuracy class: VS 0,2/0,5/1/3 & 3P/6P; CS 0,2S/0,2/0,5S/1/3 max P20  
 Secondary output: VS 3,25/V3 or customer defined; CS 225mV or customer defined  
 Burden: VS 200kΩ ±1%; max. 1nF or customer defined; CS >20kΩ  
 Ith: 25kA 3sec.  
 Bending force: on request

Function principle:



Dept. GWP	Technical reference	Created by W. Bacher 21.09.2018	Approved by N. Juschicz 21.09.2018
 A3/1:3	Document type Drawing	Document status Draft	
	Title Indoor sensor V&C combined Post pone	DWG No. K240L-xx	
		Rev. 1	Date of issue 21.09.2018