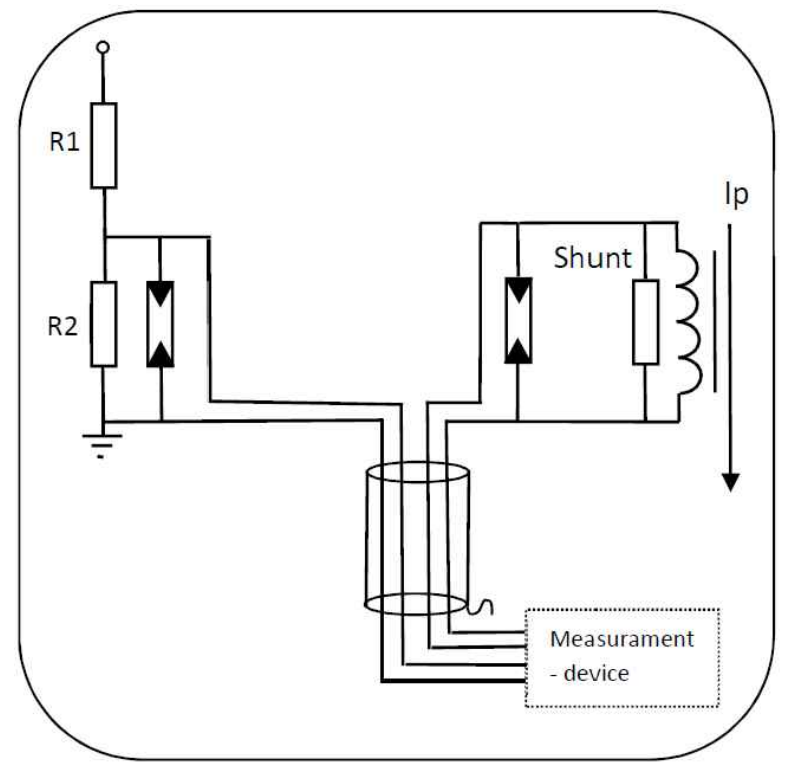
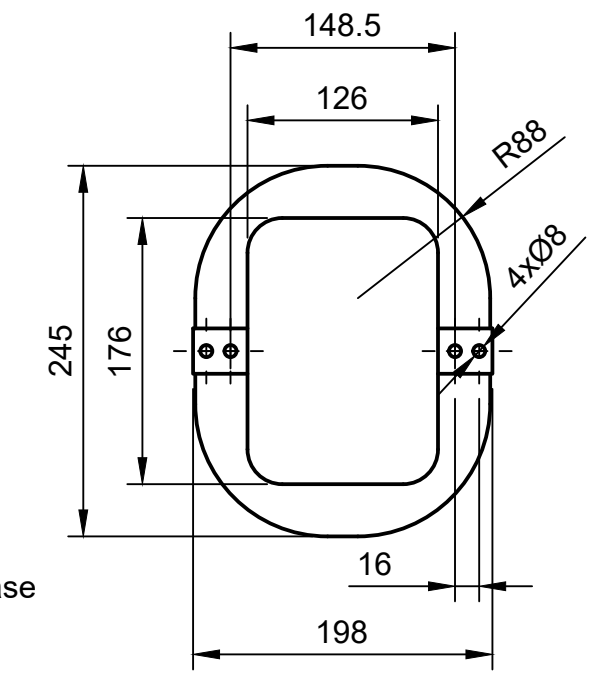
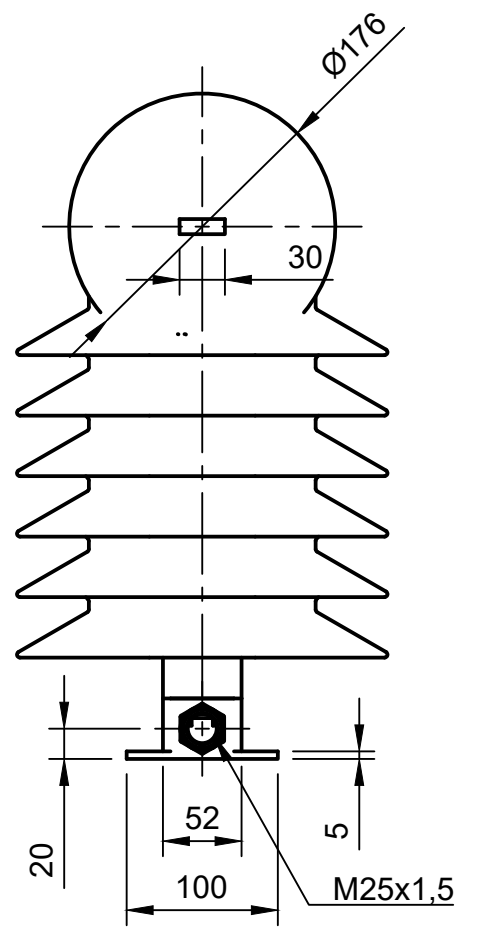


1:5

Function principle:



Accuracy class: CS		
Ip	Amplitude	Phase
1%	±5	±2
5%	±1	±2
100%	±1	±2
20000%	±5	±2



Standard: IEC 60044-7, 60044-8
 Isolation level: VS 24/50/125kV, CS 0,72kV
 Temperature range: -5/40°C
 Accuracy class: VS CI1 & 3P
 Secondary output: VS 10000/1V; VC 1000A/31mV
 Burden: VS 1MΩ ±2%; <50pF, CS 10kΩ ±2%; <10pF
 Thermal short time time Ith: 16kA
 Harmonics: 1th & 2th Amplitude 1%, Phase 1°/ 3th - 50th
 Amplitude 5%, Phase 5°
 Correctionfactor: ± 30% for amplitude error, 180° for phase error
 Bending force on request

Dept. GWP	Technical reference K240F	Created by W. Bacher 20.09..2018	Approved by N. Juschicz 20.09.2018
		Document type Drawing	Document status Draft
		Title Outdoor V&C combined Sensor	
A3 1:5		Rev. 1	Date of issue 20.09.2018
		Sheet 1/1	